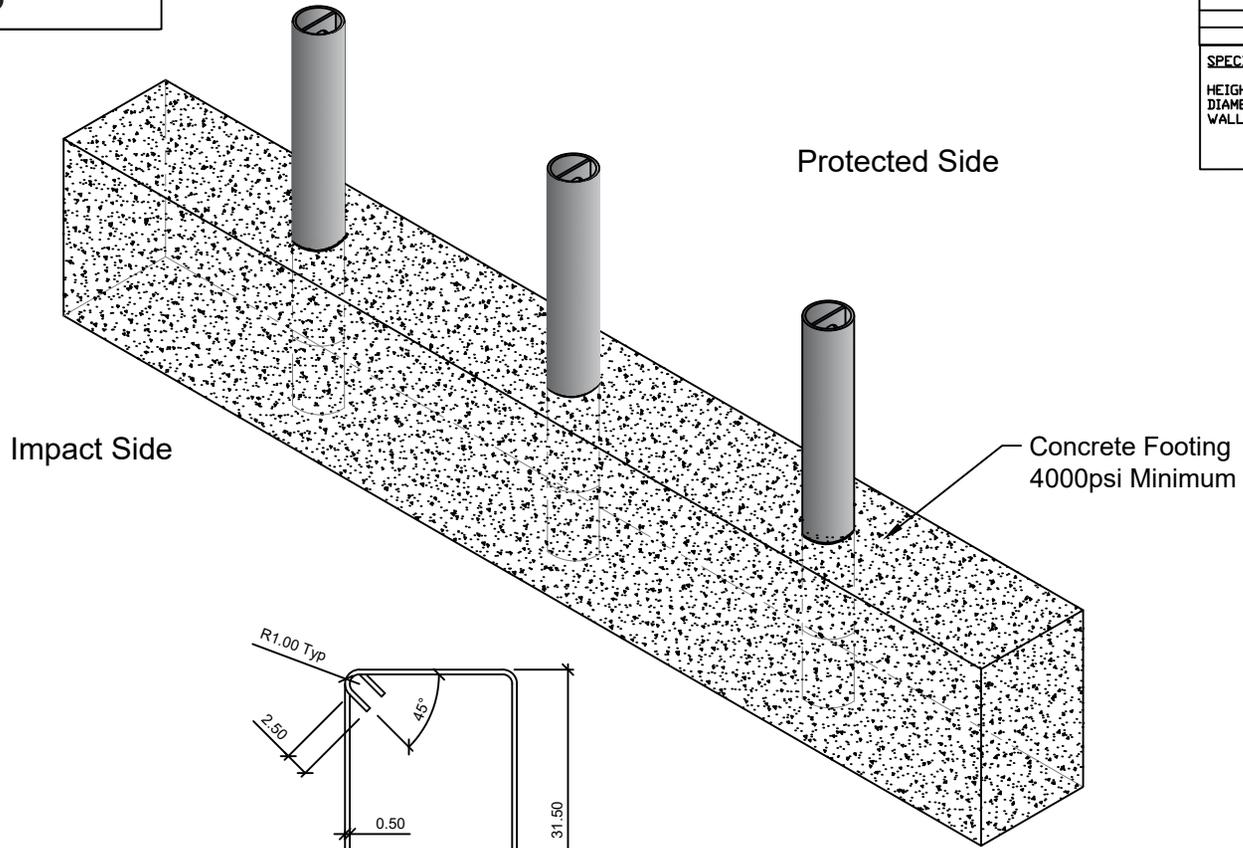


1-800-BOLLARDS

The Bollard Experts

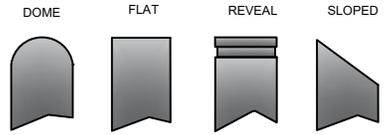
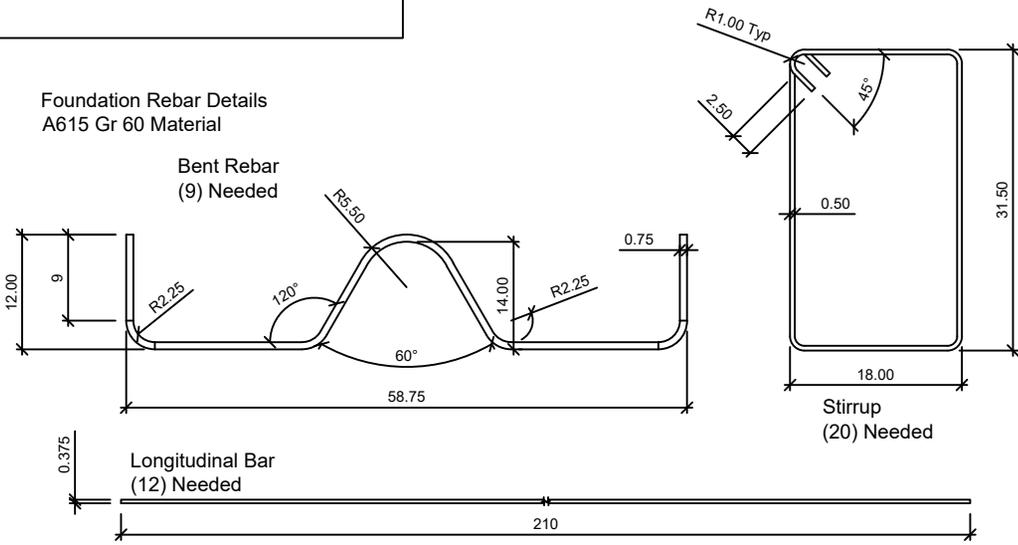
- SELECT DESIRED MATERIAL:
(8" NOMINAL SIZE)
 - RPSSCT08080 SCH 80 STAINLESS STEEL
 - RPCSCT08080 SCH 80 ASTM A-53 CARBON STEEL
- SELECT DESIRED STAINLESS STEEL BOLLARD FINISH:
 - POLISHED #4 FINISH
 - AS SPECIFIED _____
- SELECT DESIRED CARBON STEEL BOLLARD FINISH:
 - POWDER COAT RAL # _____
 - AS SPECIFIED _____
- SELECT DESIRED STAINLESS STEEL BOLLARD MATERIAL:
 - TYPE 304
 - TYPE 316
- SELECT DESIRED BOLLARD CAP STYLE:
 -  DOME
 -  FLAT
 -  REVEAL
 -  SLOPED



REVISIONS			
LTR	DESCRIPTION	DATE	APPVD
COMMENTS			

SPECIFICATIONS
HEIGHT: 42"
DIAMETER: 8.625"
WALL THICKNESS: 0.500"

Foundation Rebar Details
A615 Gr 60 Material



NOTES:
 1. INSTALLATION TO BE COMPLETED IN ACCORDANCE WITH MANUFACTURER'S SPECIFICATIONS.
 2. DO NOT SCALE DRAWING.
 3. THIS DRAWING IS INTENDED FOR USE BY ARCHITECTS, ENGINEERS, CONTRACTORS, CONSULTANTS AND DESIGN PROFESSIONALS FOR PLANNING AND INSTALLATION PURPOSES.
 4. ALL INFORMATION CONTAINED HEREIN WAS CURRENT AT THE TIME OF DEVELOPMENT BUT MUST BE REVIEWED AND APPROVED BY THE PRODUCT MANUFACTURER TO BE CONSIDERED ACCURATE.

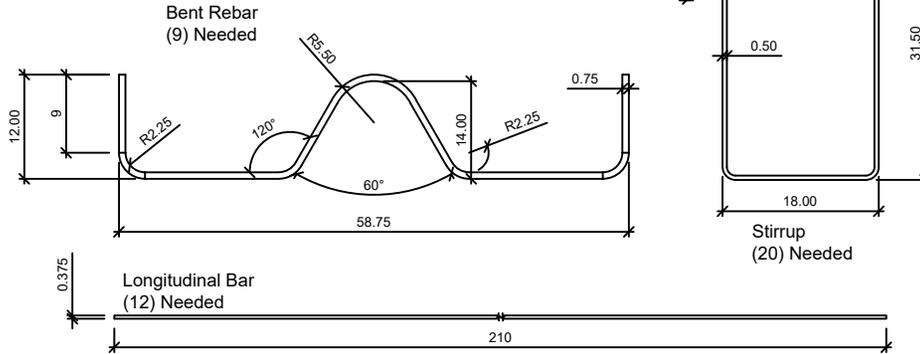
APPLICATION		SERIES NUMBER: M30 DEEP REMOVABLE		CAGE CODE: M30	SIZE: 8	DRAWING NUMBER: M30DMR	
NEXT ASSY	USED ON	PRODUCT FAMILY: 30 MPH CRASH TESTED	PRODUCT CLASS: STANDARD OR CUSTOMER DEFINED	CHECKED BY: AJA	DRAWING REV: SHEET 1 OF 1		
		PRODUCT LINE: BOLLARD	PRODUCT SUB LINE: REMOVABLE	APPROVED BY:	RELEASE DATE: 1-3-2023		
		1-800-BOLLARDS, Inc. 10 Hughes Sutter ALOS Irvine, CA 92618 PHONE: 1-800-BOLLARDS WEB: WWW.1800BOLLARDS.COM EMAIL: INFO@1800BOLLARDS.COM				TITLE: BOLLARD, CT REMOVABLE	

1-800-BOLLARDS

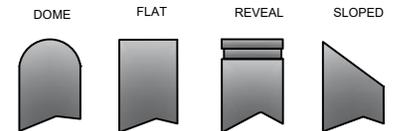
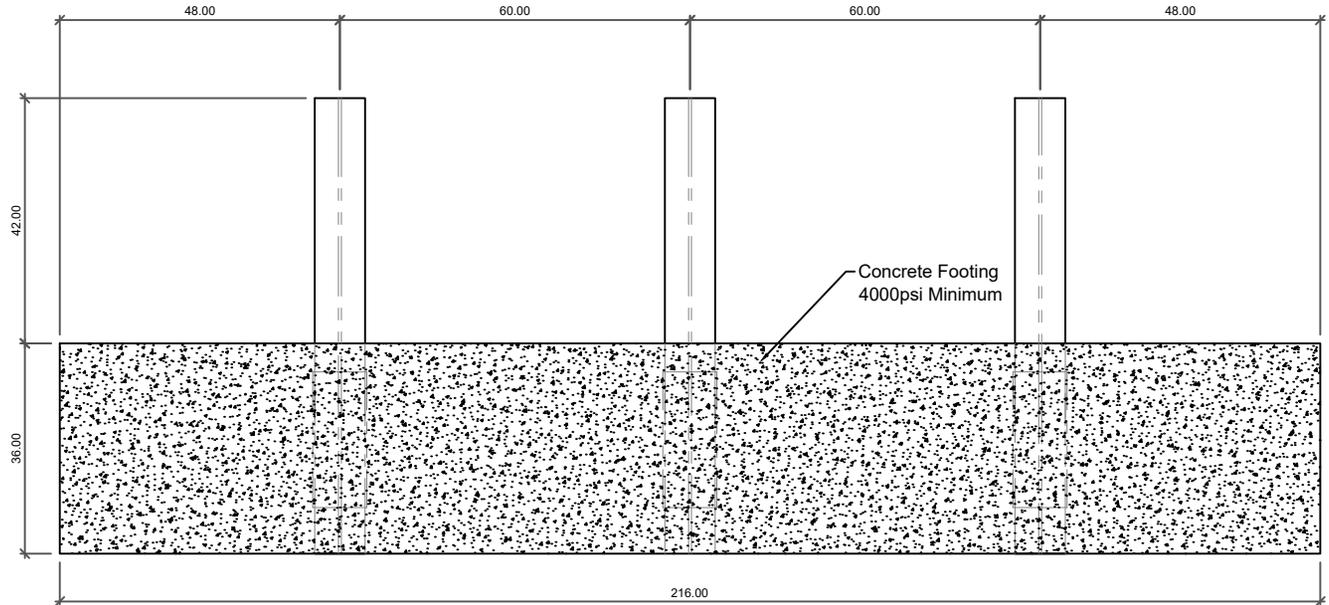
The Bollard Experts

- SELECT DESIRED MATERIAL:
(8" NOMINAL SIZE)
 - RPSST08080 SCH 80 STAINLESS STEEL
 - RPCSCT08080 SCH 80 ASTM A-53 CARBON STEEL
- SELECT DESIRED STAINLESS STEEL BOLLARD FINISH:
 - POLISHED #4 FINISH
 - AS SPECIFIED _____
- SELECT DESIRED CARBON STEEL BOLLARD FINISH:
 - POWDER COAT RAL # _____
 - AS SPECIFIED _____
- SELECT DESIRED STAINLESS STEEL BOLLARD MATERIAL:
 - TYPE 304
 - TYPE 316
- SELECT DESIRED BOLLARD CAP STYLE:
 -  DOME
 -  FLAT
 -  REVEAL
 -  SLOPED

Foundation Rebar Details
A615 Gr 60 Material



REVISIONS			
LTR	DESCRIPTION	DATE	APPVD
COMMENTS			
SPECIFICATIONS			
HEIGHT: 42"			
DIAMETER: 8.625"			
WALL THICKNESS: 0.500"			



NOTE:
1. INSTALLATION TO BE COMPLETED IN ACCORDANCE WITH MANUFACTURER'S SPECIFICATIONS.
2. DO NOT SCALE DRAWING.
3. THIS DRAWING IS INTENDED FOR USE BY ARCHITECTS, ENGINEERS, CONTRACTORS, CONSULTANTS AND DESIGN PROFESSIONALS FOR PLANNING AND INSTALLATION PURPOSES.
4. ALL INFORMATION CONTAINED HEREIN WAS CURRENT AT THE TIME OF DEVELOPMENT BUT MUST BE REVIEWED AND APPROVED BY THE PRODUCT MANUFACTURER TO BE CONSIDERED ACCURATE.

APPLICATION		SERIES NUMBER: M30 DEEP REMOVABLE		CAGE CODE: M30	SIZE: 8	DRAWING NUMBER: M30DMR	
NEXT ASSY	USED ON	PRODUCT FAMILY: 30 MPH CRASH TESTED	PRODUCT CLASS: STANDARD OR CUSTOMER DEFINED	DRAWN BY: AJA	DRAWING REV:		
		PRODUCT LINE: BOLLARD	PRODUCT SUB LINE: REMOVABLE	CHECKED BY:	SHEET: 1 OF 1		
		1-800-BOLLARDS, Inc. 10 Hughes Suite A105 Irvine, CA 92618 PHONE: 1-800-BOLLARDS WEB: WWW.1800BOLLARDS.COM EMAIL: INFO@1800BOLLARDS.COM		APPROVED BY:	RELEASE DATE: 1-3-2023		
		TITLE:				BOLLARD, CT REMOVABLE	